

CLASSIC DUST SEPARATORS

Air Cleaning and Air Cleaning AUX self-cleaning dust separators Modular line for the Tertiary sector

The Classic Separators are designed to work in combination with one or more vacuum Modules based on the size of the building and the number of users needed at the same time.

They are sized to meet the needs to eliminate dust from 4 up to 6 simultaneous users.

Two versions are available:

AIR CLEANING with self-cleaning and air supply compressor.

AIR CLEANING AUX with self-cleaning and auxiliary compressed air line connection.

The Separator consists of a structure divided into two sections:

Upper section with the housing of the filter cartridge and the self-cleaning system.

Lower section with the dust container with deflector cone.

The **Filter Cartridge Self-Cleaning System** reduces the maintenance time of the filter cartridge.

The filter cartridge is made of washable polyester.



Complementary Accessories for Dust Separators



CI870 - Filter cartridge for separators: LT100 and LT100 AUX (CI242 and CI242-1)
in washable polyester - measures: 61 cm H x Ø27 cm

CI864 - Filter cartridge for separators: LT150 and LT150 AUX (CI258 and CI258-1)
in washable polyester BIA USGC-- measures: 61 cm H x Ø32,5 cm

Spare parts



CI816- Collection Bags for separators: LT100 and LT100 AUX (CI242 and CI242-1)
each pack contains 20 pieces.

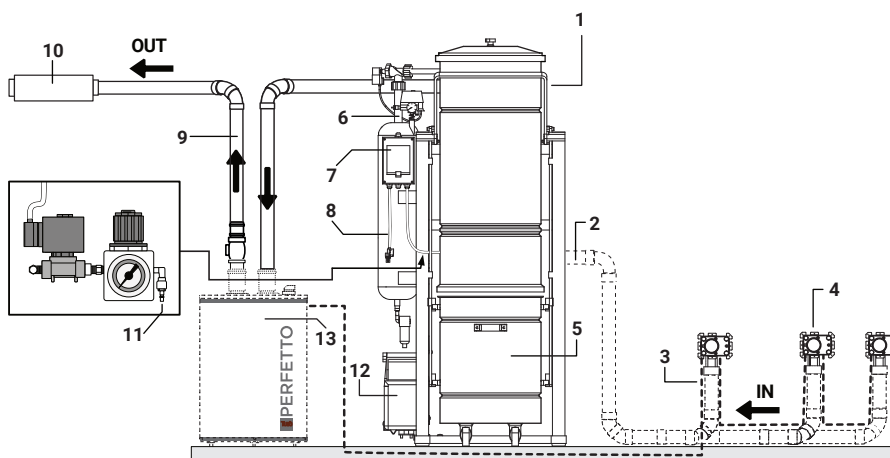
Spare parts

CI820 - Collection Bags for separators: LT150 and LT150 AUX (CI258 and CI258-1)
each pack contains 20 pieces.

Air Cleaning self-cleaning filter system Classic dust separators					
Model		LT100	LT100 AUX	LT150	LT150 AUX
Commercial code		CI242	CI242.1	CI258	CI258.1
Operators at the same time		4	4	6	6
Filter cartridge surface area	cm ²	35.000	35.000	78.000	78.000
Filter cartridge material		polyester	polyester	polyester	polyester
Air Cleaning self-cleaning system		Yes	Yes	Yes	Yes
Air compressor		Yes	Yes	Yes	Yes
Auxiliary compressed air line connection		No	AUX	No	AUX
Self-cleaning panel power supply	Volt	220/240	220/240	220/240	220/240
Minimum operating vacuum	Bar	> 4	> 4	> 4	> 4
Self-cleaning tank capacity	Litres	12	12	12	12
Dust container capacity	Litres	100	100	150	150
Separator diameter	cm	56	56	56	56
Air inlet diameter	mm	80	80	100	100
Air outlet diameter	mm	80	80	100	100
Total separator height	cm	175	175	175	175
Total separator large	cm	81	81	91	91
Total separator dept	cm	68	68	78	78
Net weight	Kg	80	75	125	120

HYDRAULIC AND ELECTRICAL CONNECTION

- 1 - Opening/Closing lever container
- 2 - Dust inlet line
- 3 - 12V socket activation line
- 4 - Socket frame
- 5 - Dust container
- 6 - Air Cleaning self-cleaning system
- 7 - Self-cleaning programming clock
- 8 - 220/240 V power supply cable
- 9 - Air outlet line
- 10 - Metal air silencer
- 11 - Auxiliary compressed air line or compressor connection (included in Aux models)
- 12 - Air compressor (except in Aux models)
- 13 - Vacuum module (for central unit completion)



INSTALLATION MEASUREMENTS

	LT100	LT100 AUX	LT150	LT150 AUX
	CI242	CI242.1	CI258	CI258.1
A	90	90	90	90
B	175	175	175	175
C	87	87	87	87
D	154	154	154	154
E	78	78	78	78
F	76	76	76	76
G	76	76	76	76

